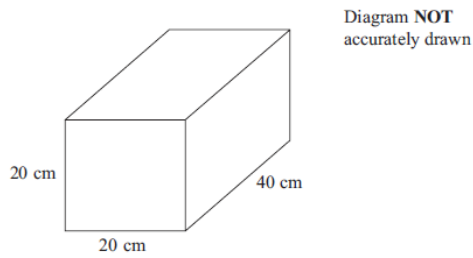


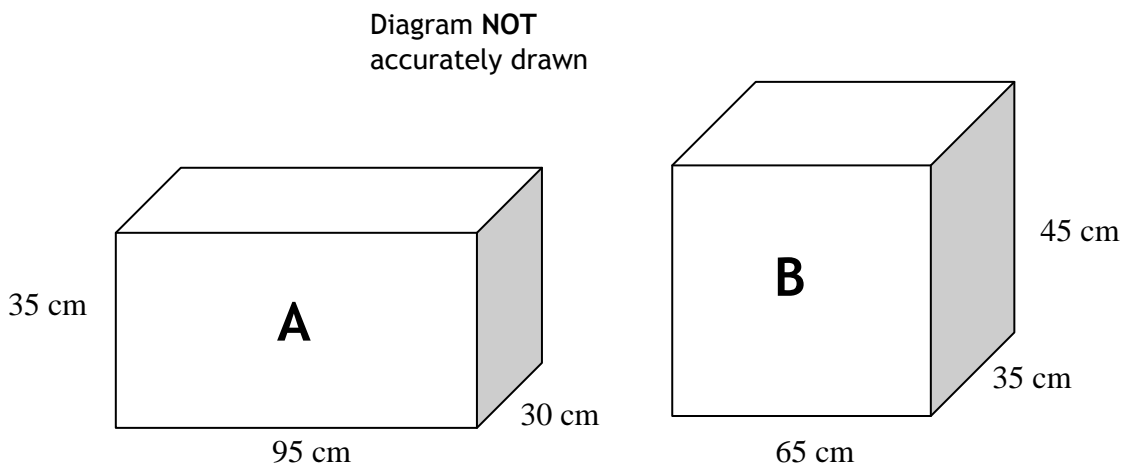
1. Here is a cuboid.



Work out the volume of the cuboid.

.....
(3 marks)

*2. The diagram shows two fish tanks, each in the shape of a cuboid.



Finley fills both fish tanks with water.

Which fish tank holds the most water?
You must show all your calculations.

(4 marks)

3. The diagram shows a prism.

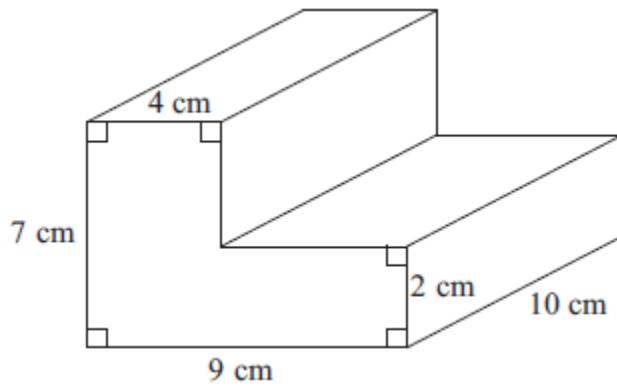


Diagram NOT
accurately drawn

Work out the volume of the prism.

.....cm³

(4 marks)

4. Here is a solid prism.

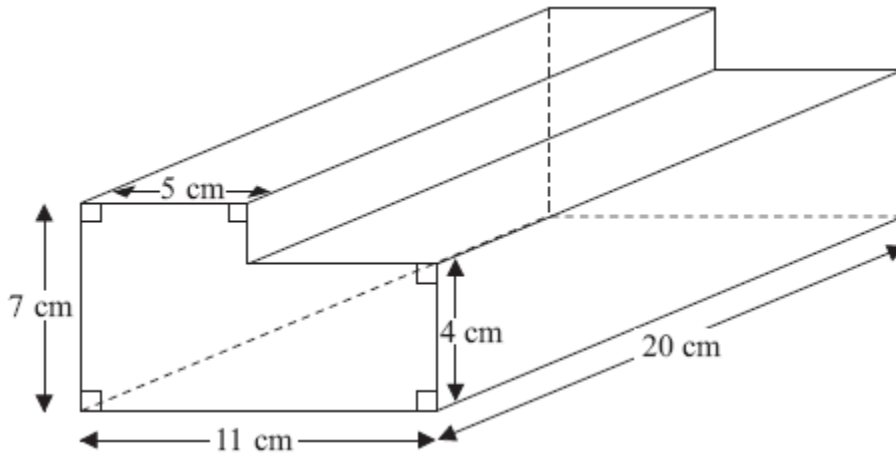


Diagram **NOT** accurately drawn

Work out the volume of the prism.

..... cm³

(4 marks)

5.

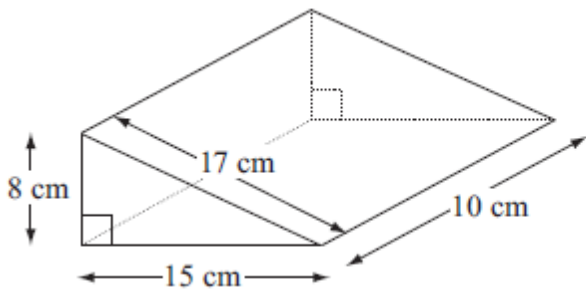


Diagram NOT accurately drawn

Work out the volume of the triangular prism.

.....
(4 marks)

6.

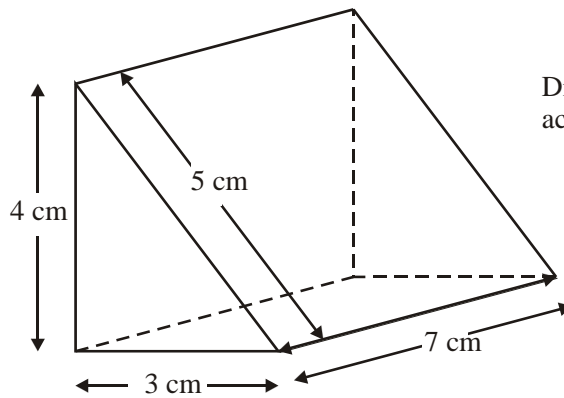


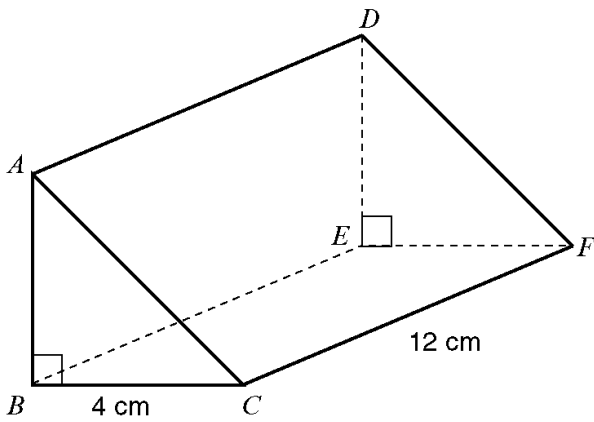
Diagram NOT accurately drawn

Calculate the volume of the triangular prism.

.....
(4 marks)

7. The diagram shows a triangular prism.

Diagram **NOT**
accurately drawn



$BC = 4$ cm, $CF = 12$ cm and angle $ABC = 90^\circ$.

The volume of the triangular prism is 84 cm³.

Work out the length of the side AB of the prism.

.....
(4 marks)

8. The diagram shows a triangular prism.

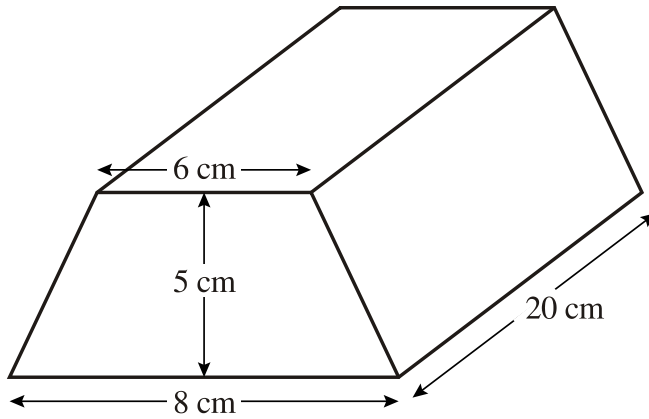


Diagram **NOT**
accurately drawn.

The cross-section of the prism is a trapezium.
The lengths of the parallel sides of the trapezium are 8 cm and 6 cm.
The distance between the parallel sides of the trapezium is 5 cm.
The length of the prism is 20 cm.

Work out the volume of the prism.

.....
(4 marks)

9.

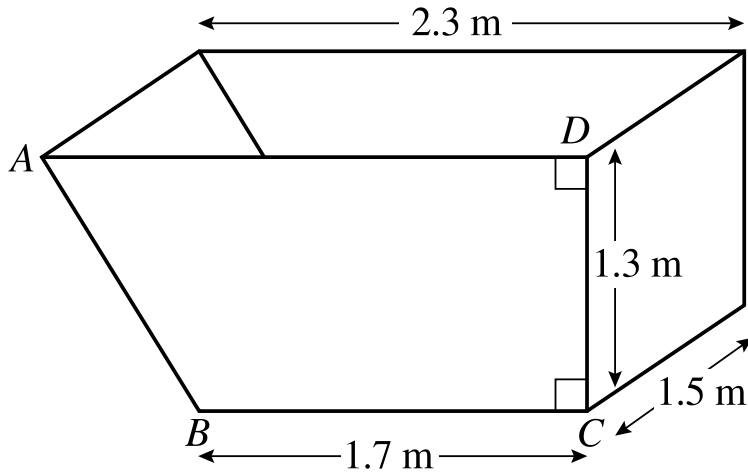


Diagram **NOT** accurately drawn

A skip is in the shape of a prism with cross-section $ABCD$.
 $AD = 2.3$ m, $DC = 1.3$ m and $BC = 1.7$ m.
 The width of the skip is 1.5 m.

(a) Calculate the area of the shape $ABCD$.

.....
(2 marks)

b) Calculate the volume of the skip.

.....
(3 marks)