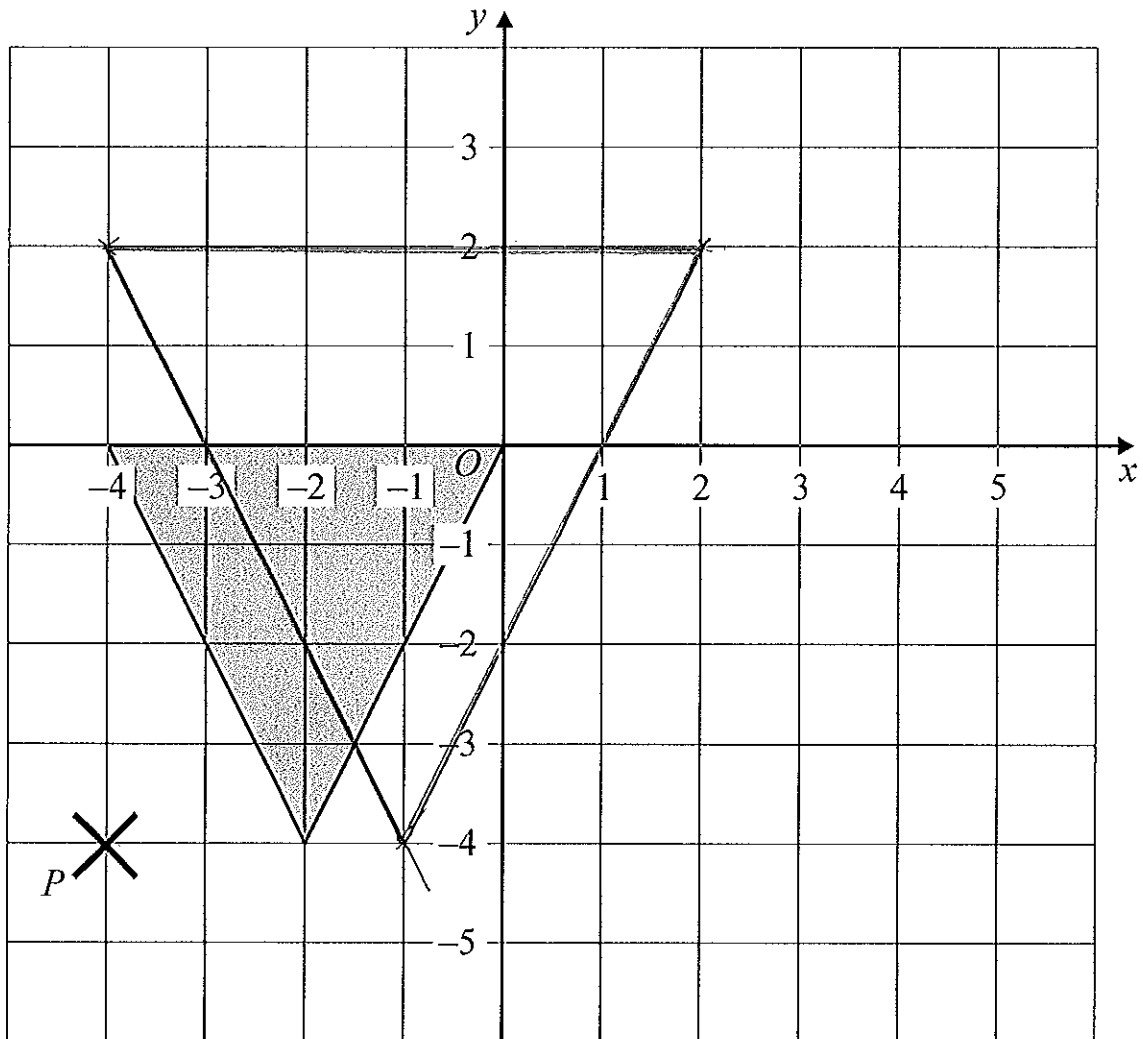


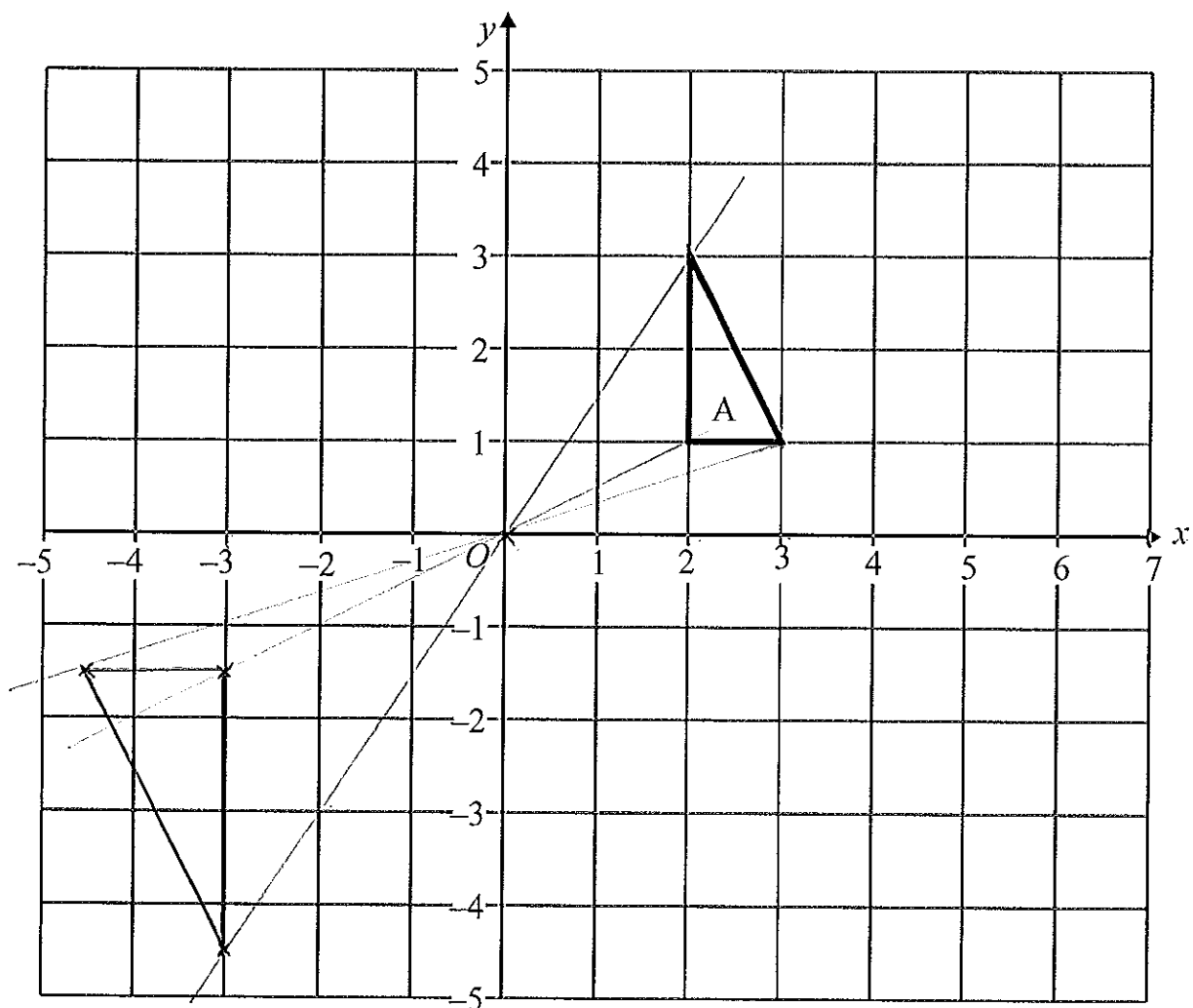
1.



Enlarge the shaded triangle by a scale factor  $1\frac{1}{2}$ , centre  $P$ .

**(Total 3 marks)**

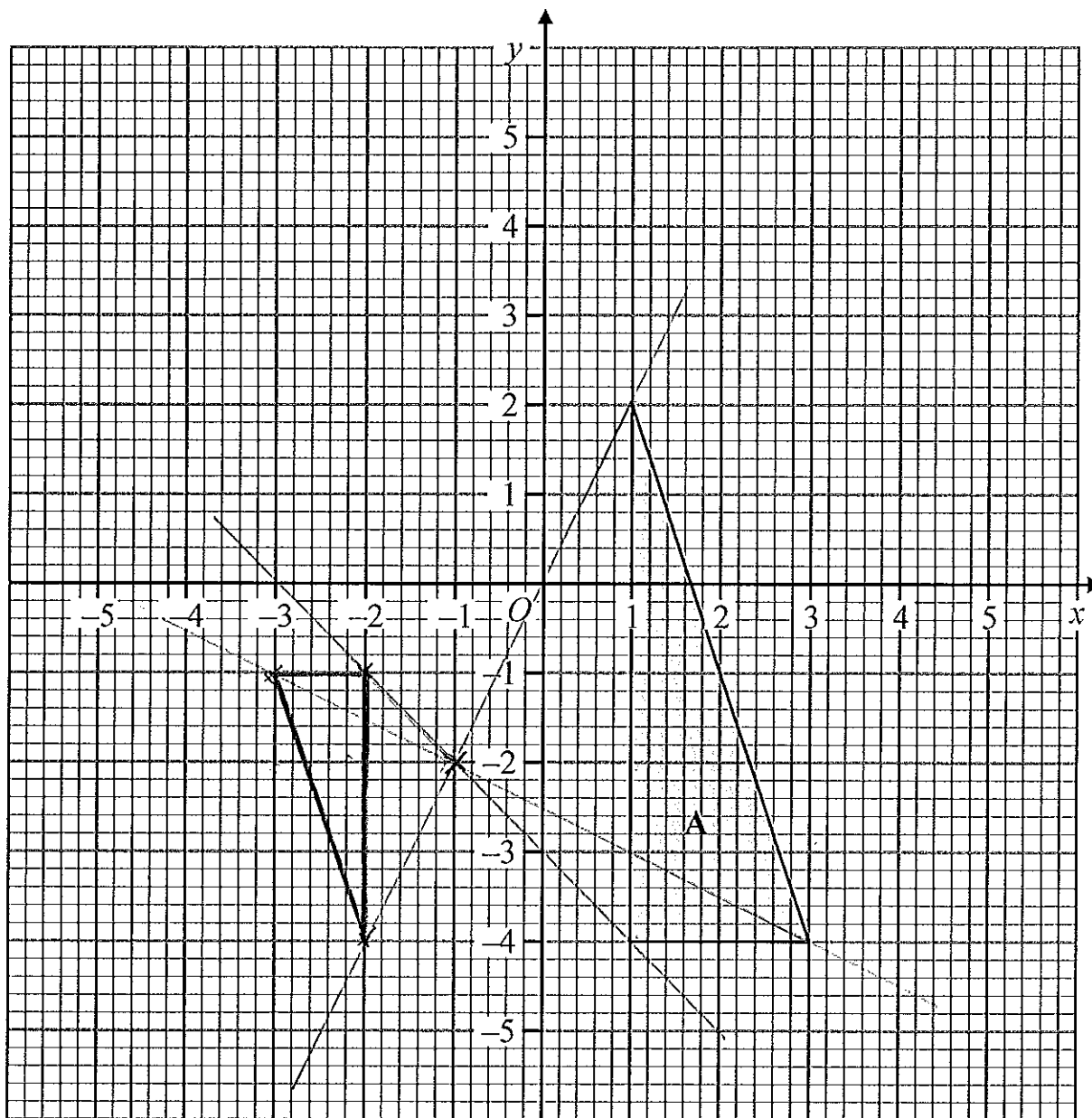
2.



Enlarge triangle A by scale factor  $-1\frac{1}{2}$ , centre  $O$ .

(Total 3 marks)

3.

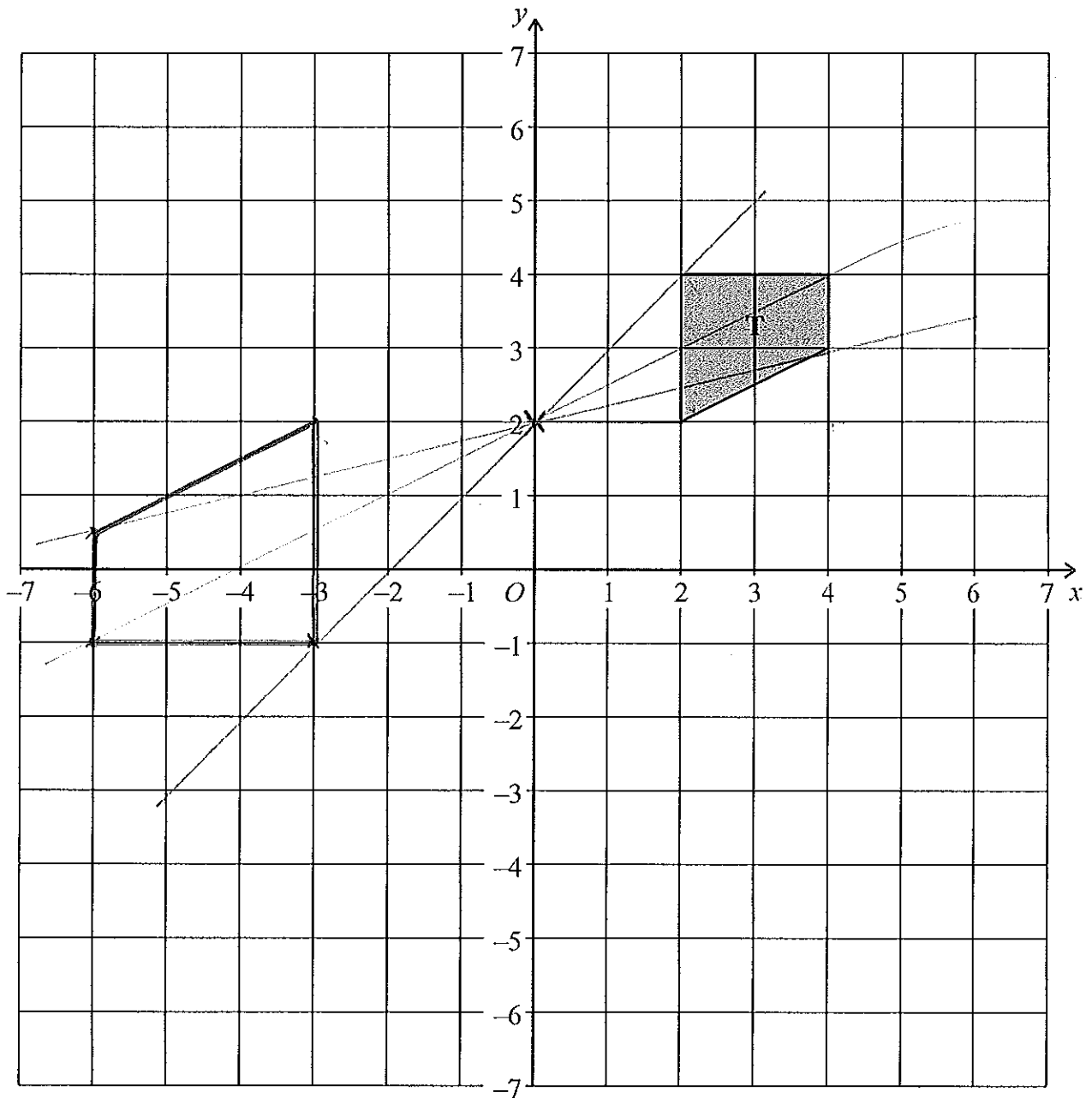


Enlarge triangle A by scale factor  $-\frac{1}{2}$ , centre  $(-1, -2)$ .

Label your triangle B.

(Total 3 marks)

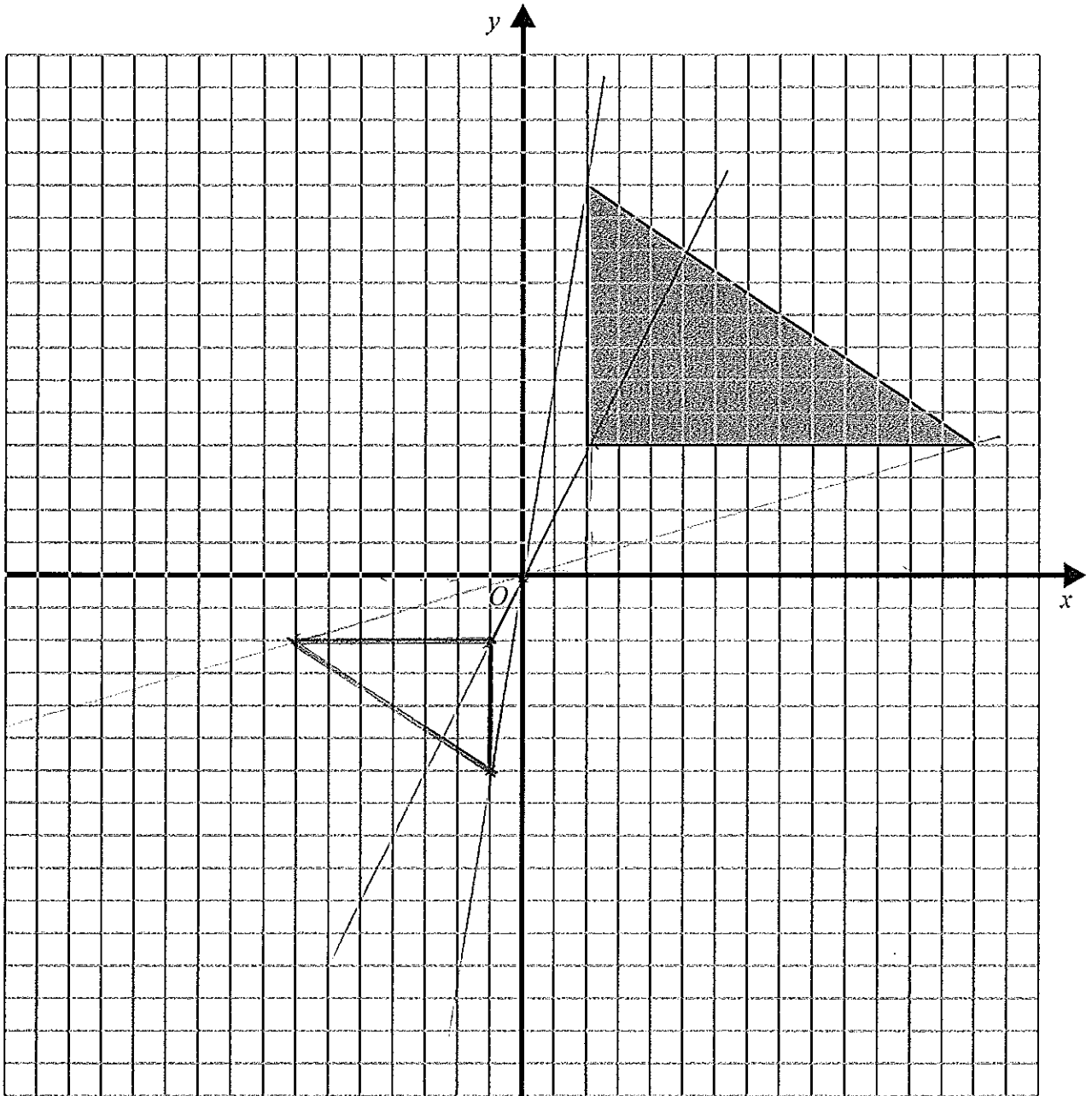
4.



Enlarge shape **T** with scale factor  $-1.5$ , centre  $(0, 2)$ .

**(Total 3 marks)**

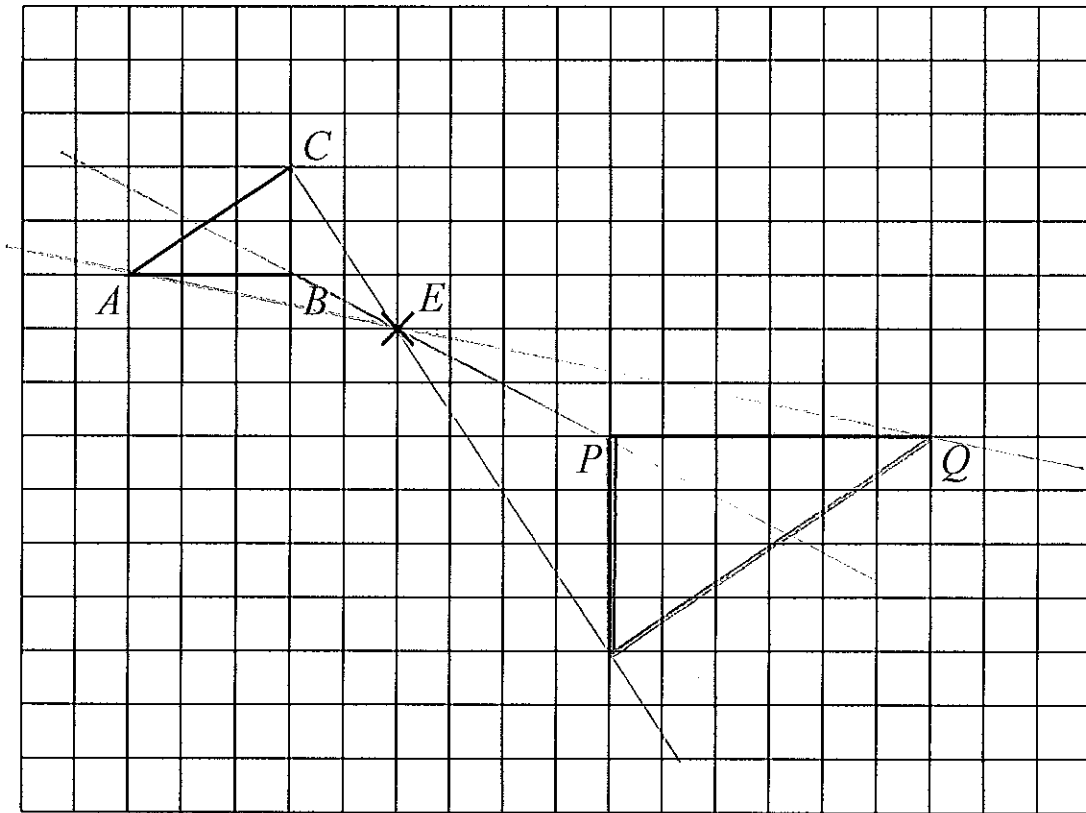
5.



Enlarge the triangle by a scale factor of  $-\frac{1}{2}$ , centre  $O$

(Total 2 marks)

6. The triangle  $ABC$  is to be enlarged, using  $E$  as the centre, to give the triangle  $PQR$ . The line  $PQ$  is the image of the line  $BA$ .



- (a) Write down the scale factor of the enlargement.

..... - 2 .....

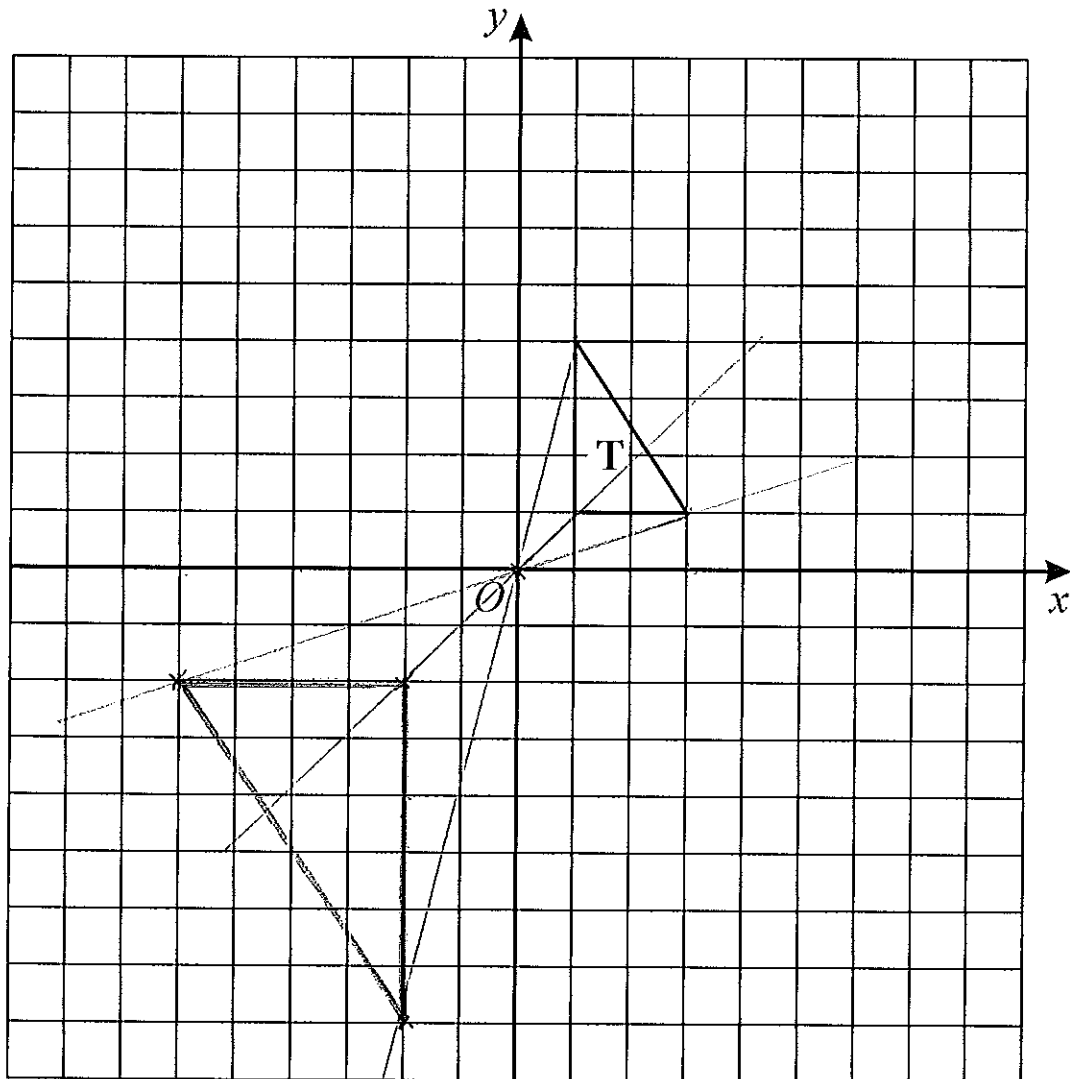
(1)

- (b) Complete the triangle  $PQR$ .

(1)

(Total 2 marks)

7.



Enlarge triangle **T**, scale factor  $-2$ , centre  $O$ .

(Total 2 marks)