

IB Maths: AA HL

Geometry of 3D Shapes

Topic Questions

These practice questions can be used by students and teachers and is Suitable for IB Maths AA HL Topic Questions

Course	IB Maths
Section	3. Geometry & Trigonometry
Topic	3.2 Geometry of 3D Shapes
Difficulty	Medium

Level: IB Maths

Subject: IB Maths AA HL

Board: IB Maths

Topic: Geometry of 3D Shapes

Question 1

The height of a regulation basketball is 2286 mm. Assuming the surface of the basketball is a sphere:

(a) Calculate the circumference of the basketball.

[2 marks]

(b) Calculate the surface area of the basketball.

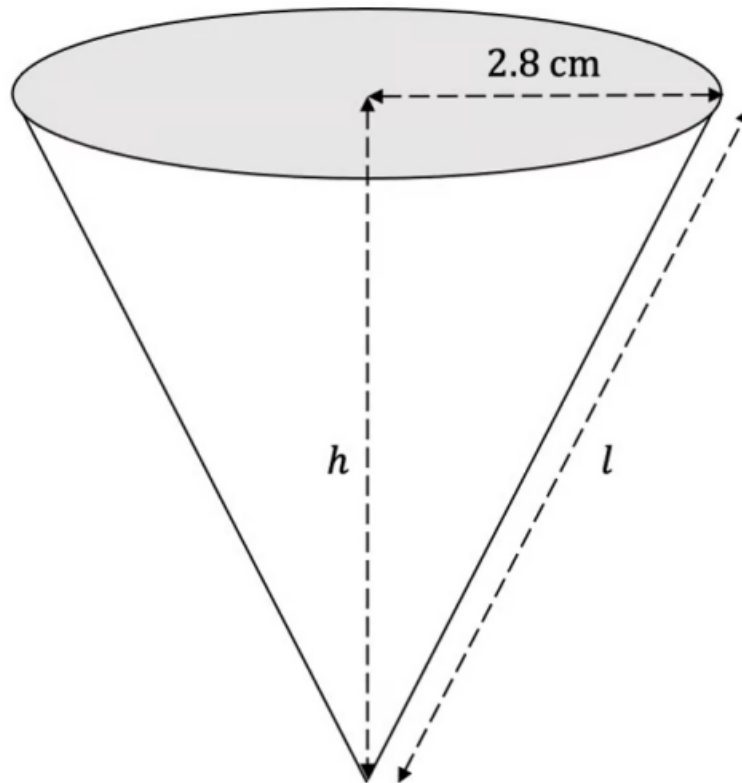
[3 marks]

(c) Calculate the volume of the basketball.

[3 marks]

Question 2

A waffle ice cream cone forms a right circular cone that has a volume of 120 cm^3 and a radius of 2.8 cm .



(a) Find the height, h , of the cone.

[2 marks]

(b) Find the slant height, l , of the cone.

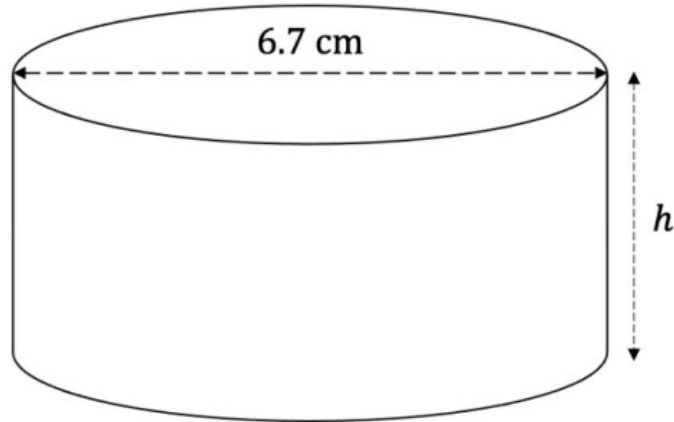
[2 marks]

(c) Calculate the curved surface area of the cone.

[2 marks]

Question 3

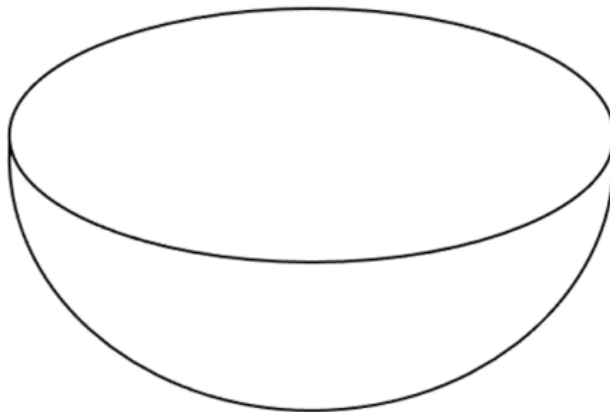
A baking container has the shape of a cylinder, as shown in the diagram below. The diameter of the baking container is 6.7 cm and its volume, V , is 80 cm^3 .



(a) Find the height, h , of the baking container.

[2 marks]

A bowl full of cake batter has the shape of a hemisphere, as shown in the diagram below. The cake batter is poured into the baking container and fills a quarter of the container.

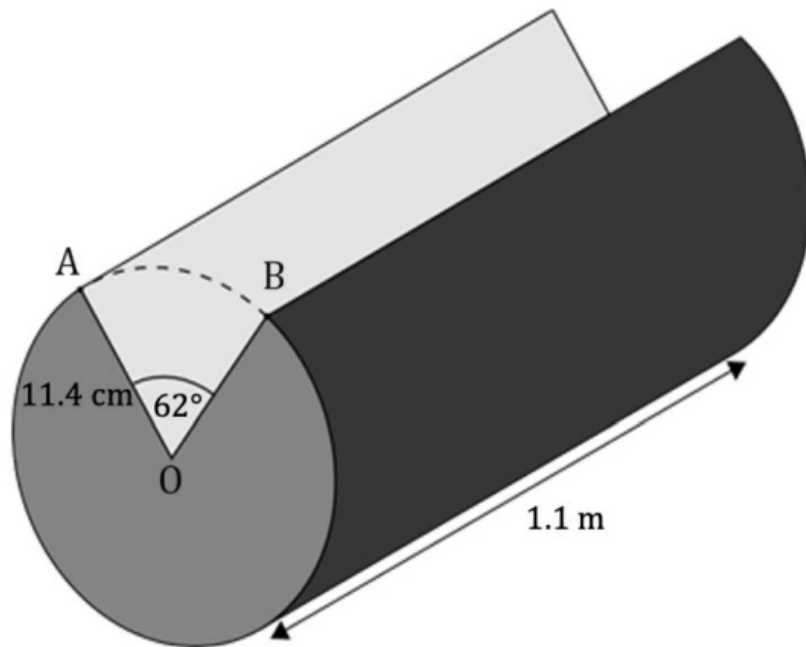


(b) Find the radius, r , of the bowl.

[2 marks]

Question 4

Hamish is building a tree hut using cylindrical logs of length 1.1m and radius 11.4cm. A wedge is cut from the logs as shown.



(a) Find the length, in cm, of the

- (i) minor arc AB
- (ii) major arc AB.

[3 marks]

(b) Find the area of the empty sector OAB.

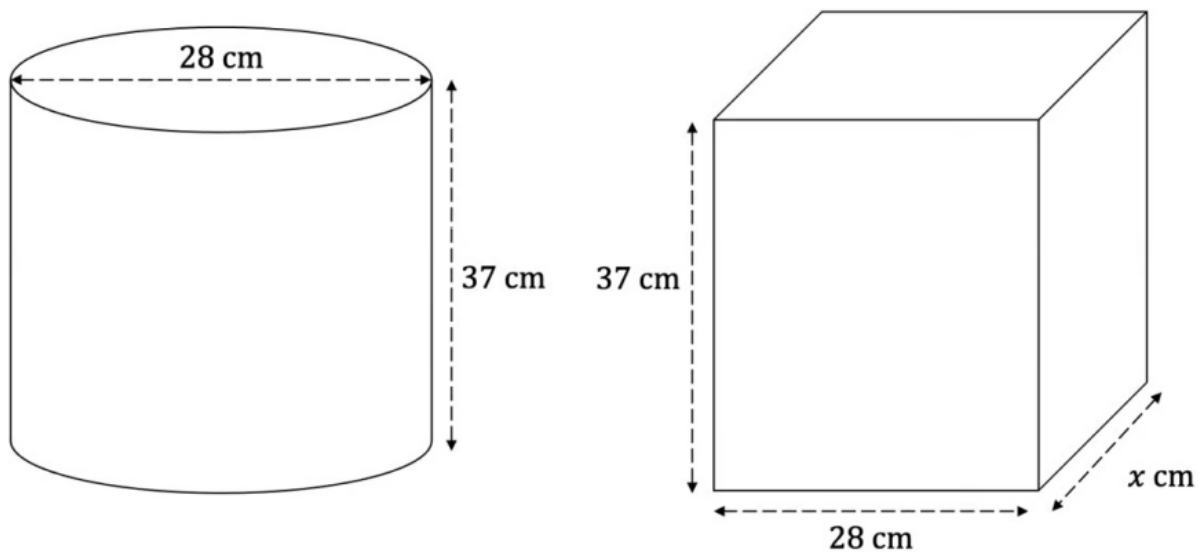
[2 marks]

(c) Find the volume of each log. Give your answer in cm^3 .

[3 marks]

Question 5

Vivian has two containers. The first container is in the shape of a cylinder with diameter 28 cm and height 37 cm. The second container is in the shape of a cuboid with width 28 cm, height 37 cm and length x cm.



(a) Calculate the surface area of the first container.

[3 marks]

Both containers have the same surface area.

(b) Find the value of x .

[4 marks]

Question 6

A stone is in the shape of a sphere with radius 1.84 m.

(a) Calculate the volume of the stone.

[2 marks]

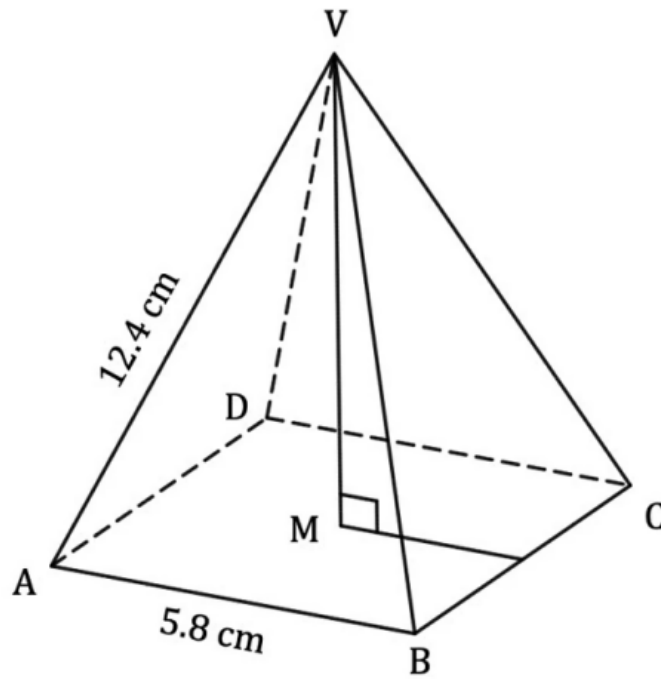
The stone is cooled and its volume decreases by 1%.

(b) Calculate the radius of the stone following this decrease.

[3 marks]

Question 7

A right pyramid has square base ABCD and apex V. The sides of the square base are 5.8 cm and the sloping edges are 12.4 cm.



(a) Calculate the length of VM.

[3 marks]

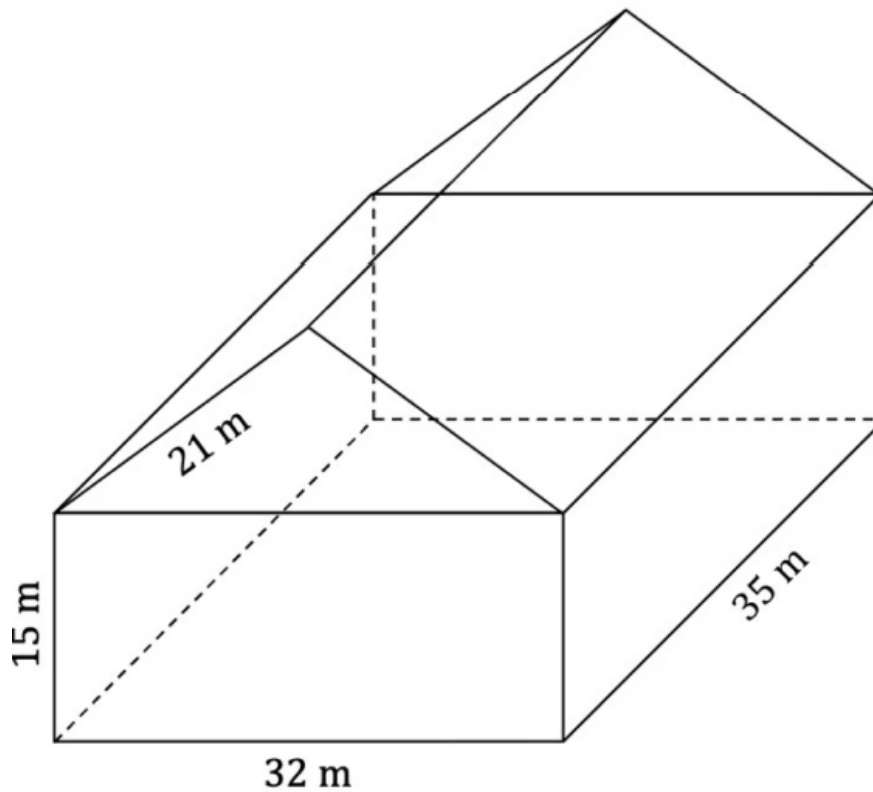
(b) Calculate the volume of the pyramid.

[2 marks]

Question 8

A storage warehouse consists of a cuboid measuring $15\text{ m} \times 32\text{ m} \times 35\text{ m}$ and a roof in the shape of an isosceles triangular prism with side lengths of 21 m , as shown in the diagram. The total exterior surface of the storage warehouse is to be painted.

Find the area to be painted. Give your answer to the nearest m^2 .



[8 marks]

Question 9

Two planes, A and B, are coming into land at Sharp airport. The locations of the planes and Sharp airport can be described by coordinates on an x, y, z axes, where x and y represent the distance east and north of Sharp airport respectively and z represents the altitude of the planes. Plane A has coordinates $(11, 14, 4)$, plane B has coordinates $(4, 17, 3)$ and Sharp airport has coordinates $(0, 0, 0)$. All distances are in km.

(a) Determine which plane is farthest away from Sharp airport.

[2 marks]

(b) Calculate the distance between plane A and plane B.

[3 marks]

After an hour of flying, plane A has coordinates $(-8, 20, 5)$. Realizing the plane is low on fuel, the pilot decides to make an emergency landing at the closest airport. His two options are Sharp airport or Kit airport, located at $(-15, 1, 0)$.

(c) State which airport the pilot land the plane.

[3 marks]