



# EXAM PAPERS PRACTICE

GCSE OCR Math J560

Drawing Plans &  
Elevations

Question Paper

*"We will help you to  
achieve A Star "*



**Question 1**

The diagram shows a solid prism.

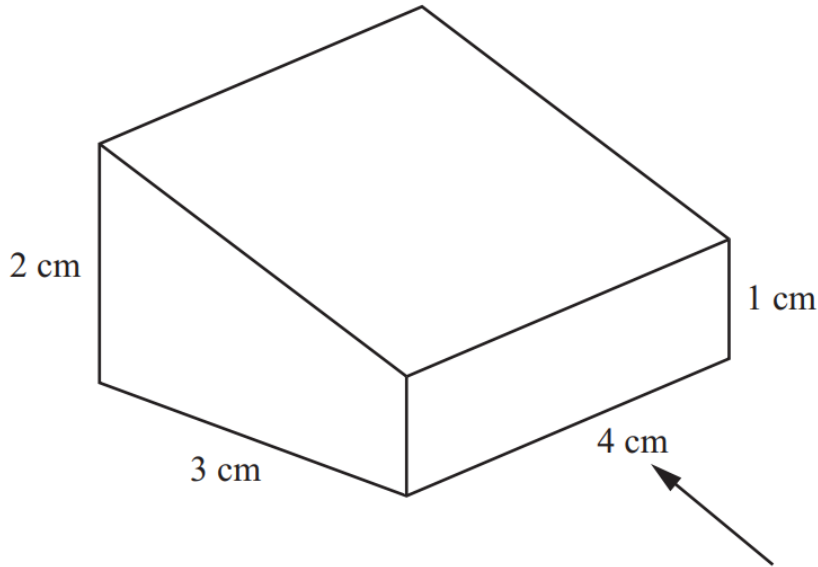
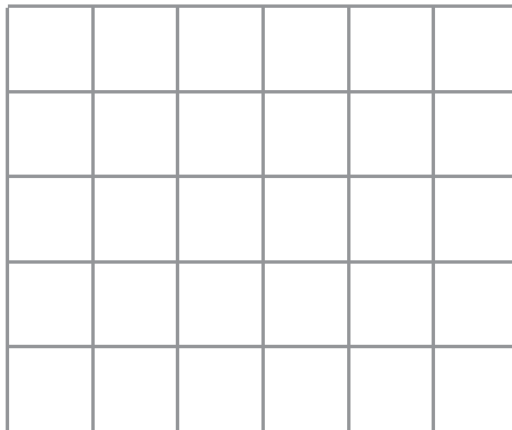


Diagram **NOT** accurately drawn

- (a) On the grid below, draw the front elevation of the prism from the direction of the arrow.

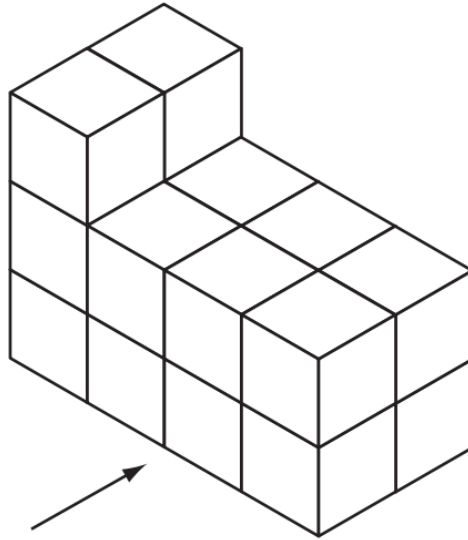


[2 marks]

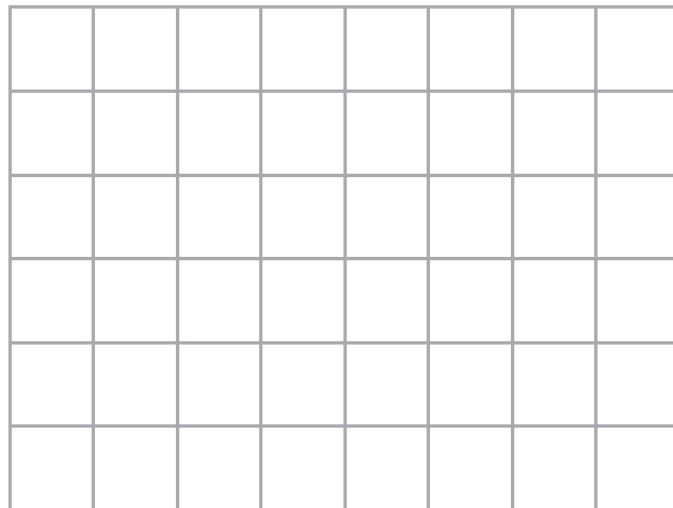


**Question 2**

The diagram shows a solid prism made from centimetre cubes.



- (a) On the centimetre square grid, draw the front elevation of the solid prism from the direction shown by the arrow.

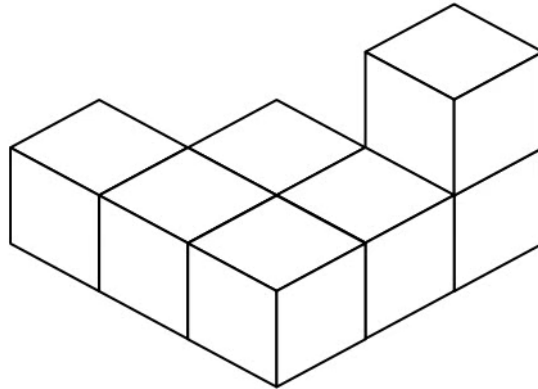


[2 marks]

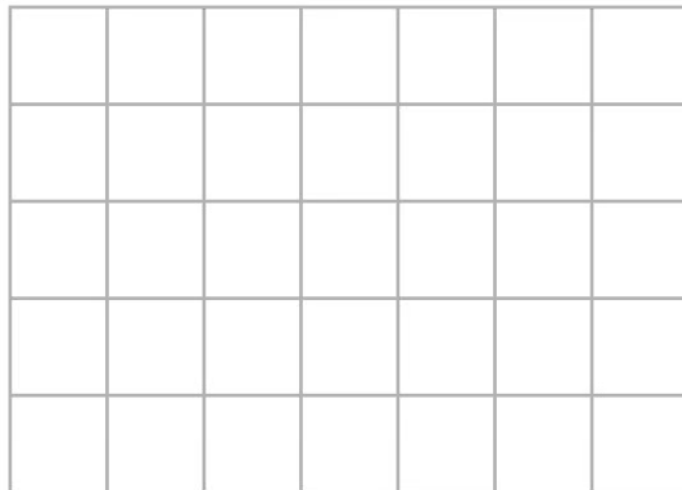


**Question 3**

The diagram represents a solid made from seven centimetre cubes.



On the centimetre grid below, draw a plan of the solid.

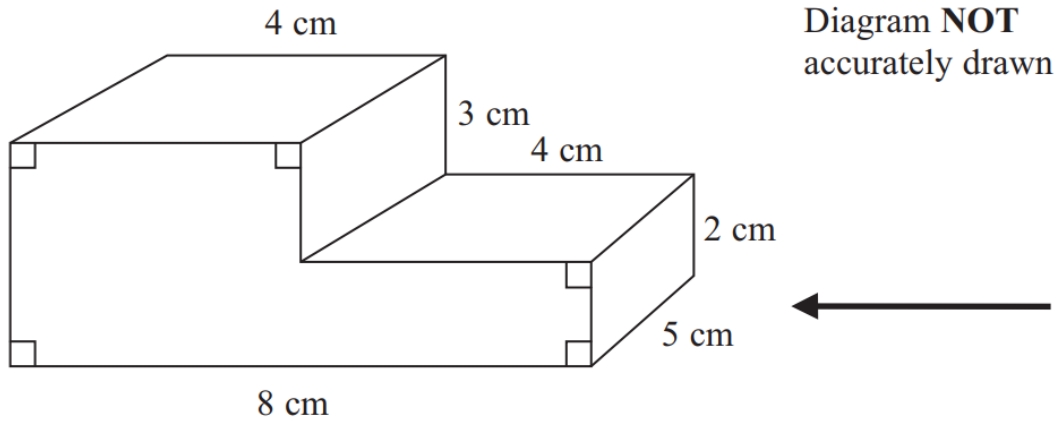


[2 marks]

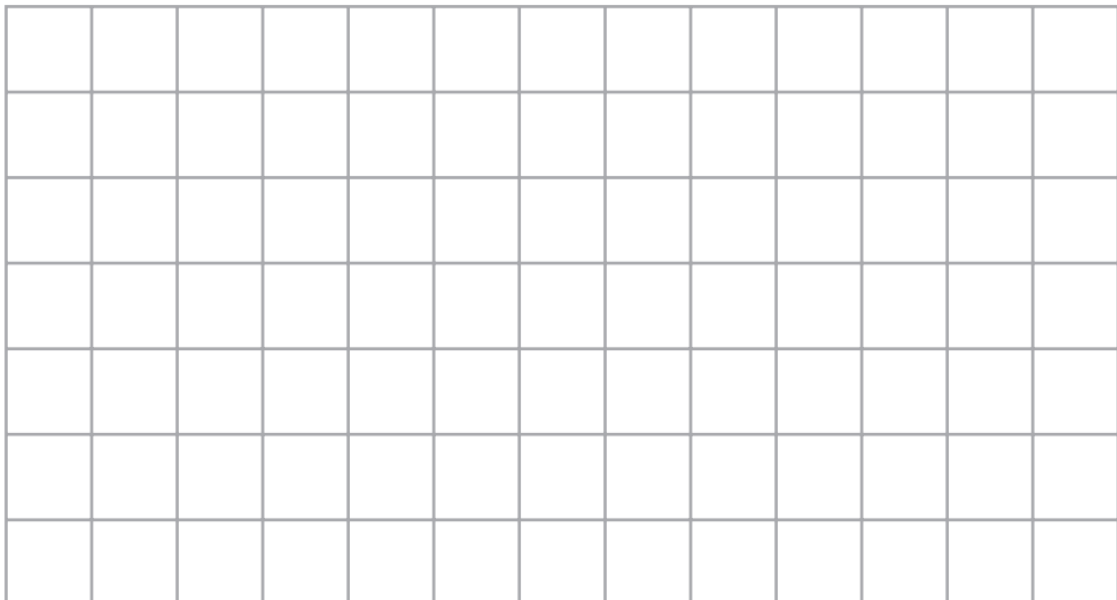


**Question 4**

The diagram shows a solid prism.



On the centimetre square grid, draw the side elevation of the solid prism from the direction shown by the arrow.

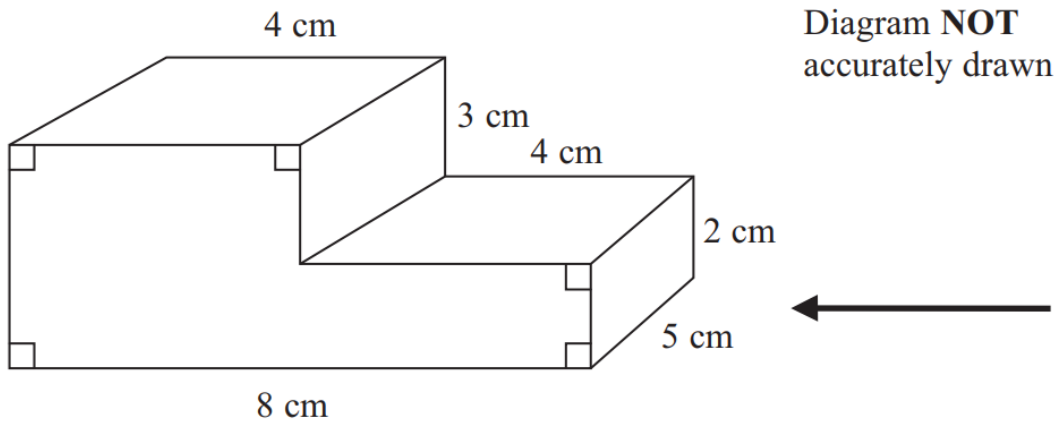


[2 marks]

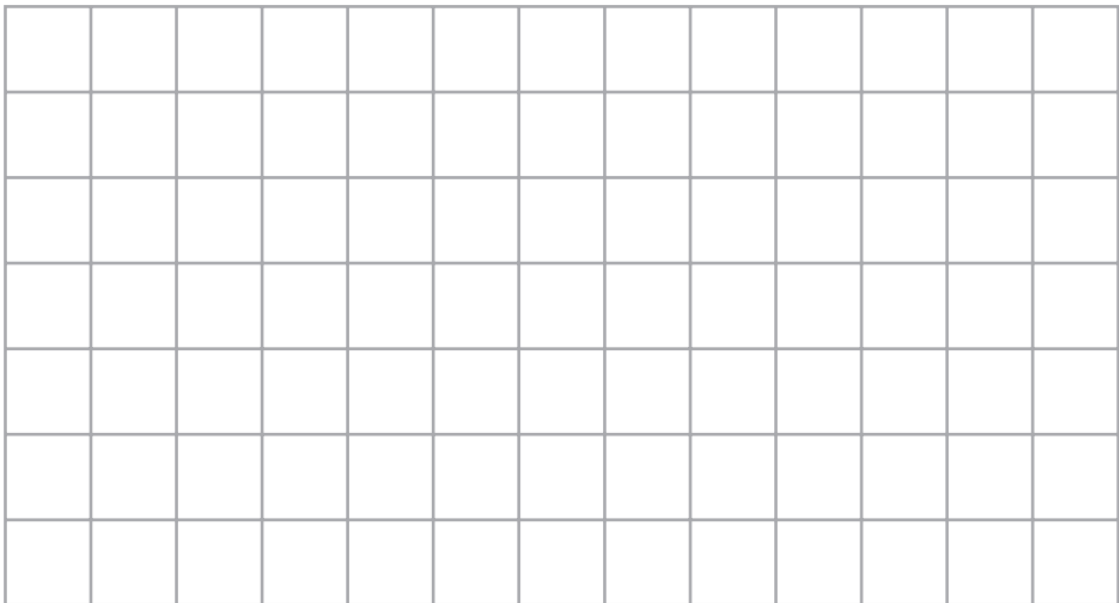


**Question 5**

The diagram shows a solid prism.



On the centimetre square grid, draw the side elevation of the solid prism from the direction shown by the arrow.

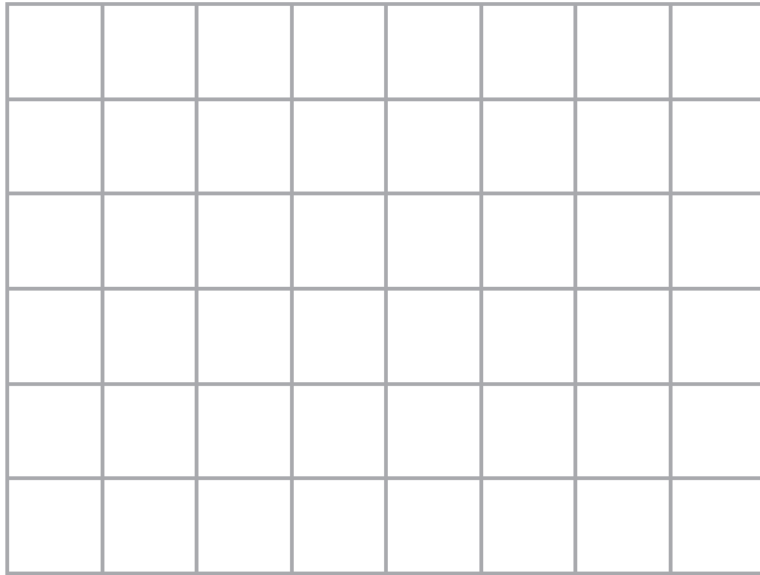


[2 marks]



**Question 6**

(b) On the centimetre square grid below, draw the plan of the solid prism.

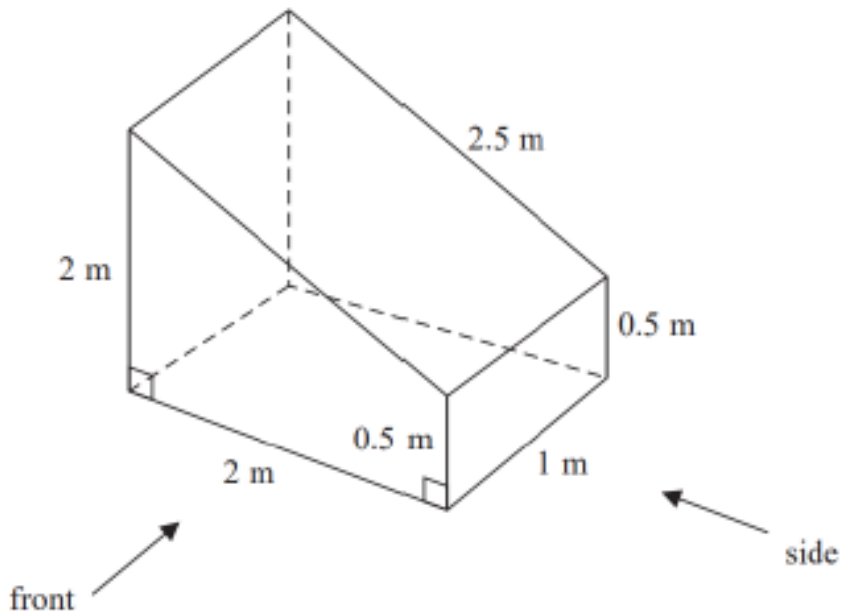


[2 marks]

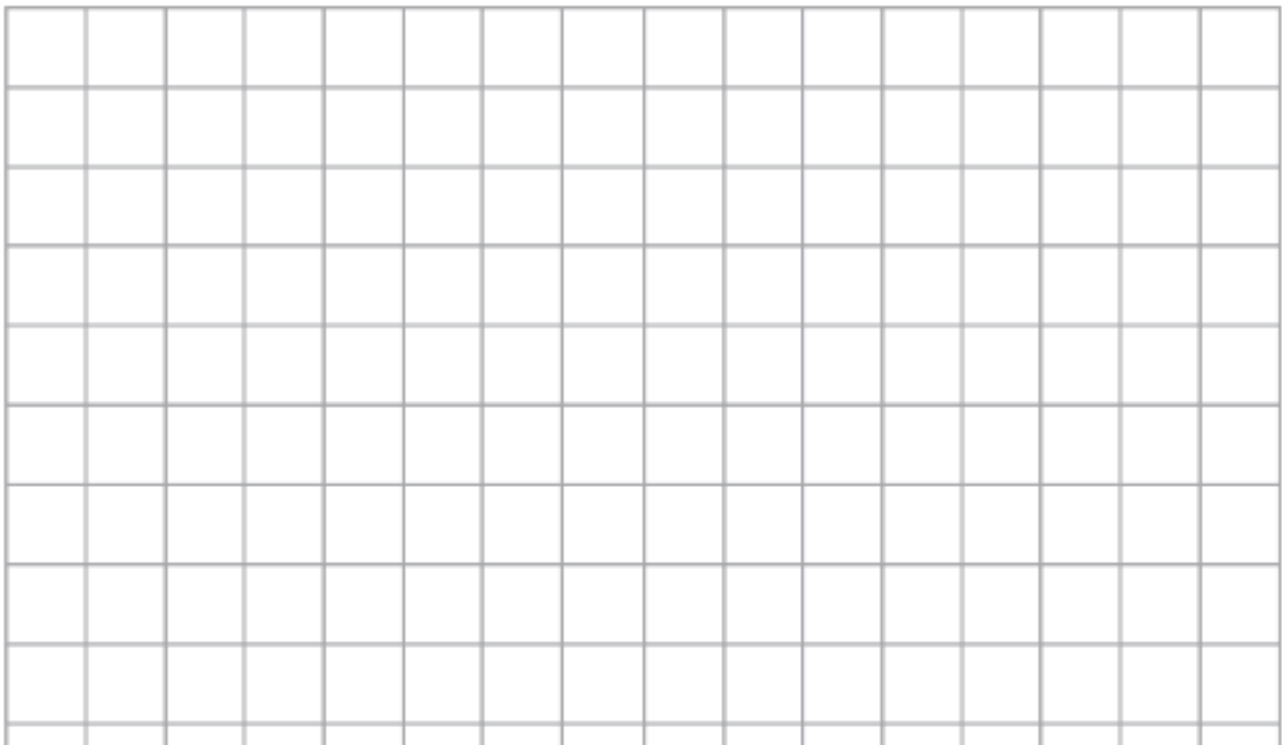


**Question 7**

The diagram shows a prism with a cross section in the shape of a trapezium.



On the centimetre grid below, draw the front elevation and the side elevation of the prism.  
Use a scale of 2 cm to 1 m.







|  |  |  |  |  |  |  |  |  |  |  |  |  |  |  |  |
|--|--|--|--|--|--|--|--|--|--|--|--|--|--|--|--|
|  |  |  |  |  |  |  |  |  |  |  |  |  |  |  |  |
|--|--|--|--|--|--|--|--|--|--|--|--|--|--|--|--|

[4 marks]

**Question 8**

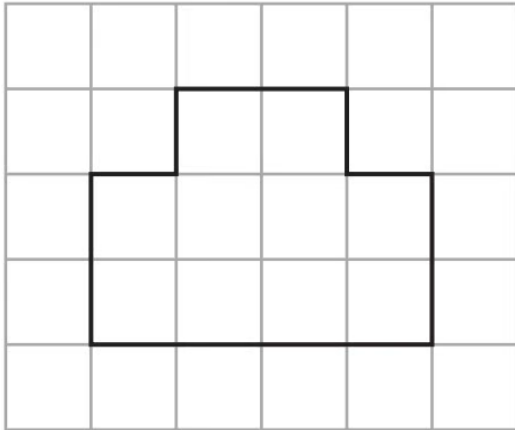
(b) In the space below, draw a sketch of the solid shape.

[2 marks]

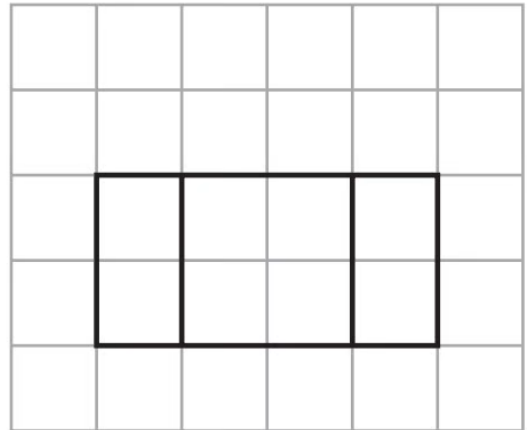
**Question 9**

Here are the front elevation and the plan of a prism.

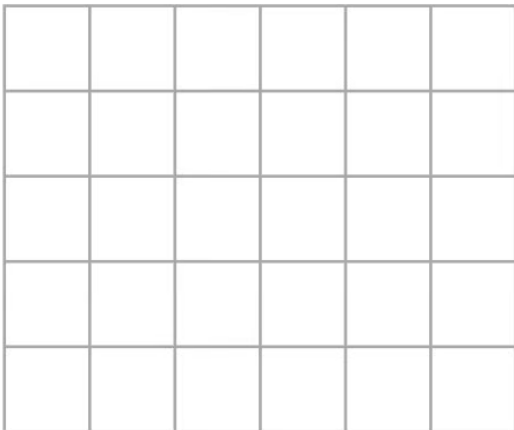
Front elevation



Plan



On the grid below, draw the side elevation of the prism.

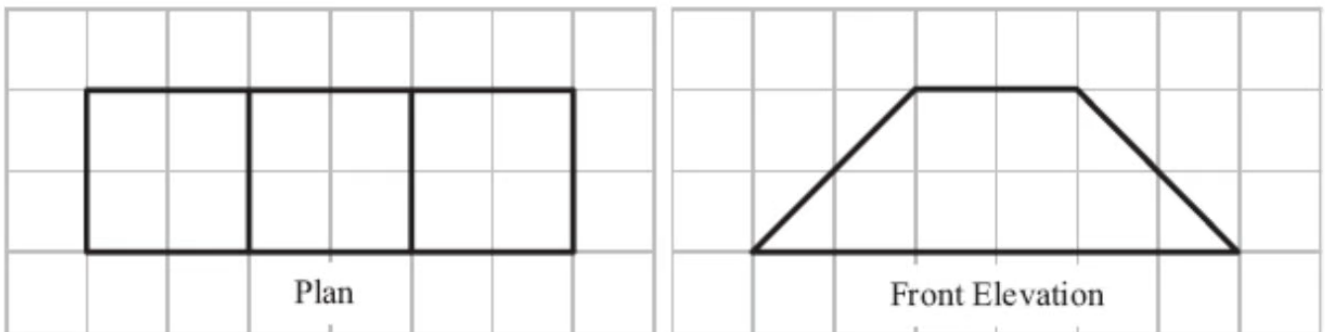


[2 marks]

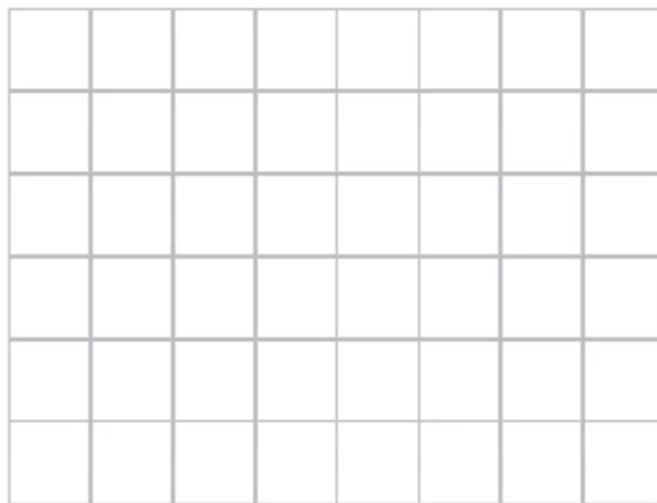


**Question 10**

Here are the plan and front elevation of a solid shape.



- (a) On the grid below, draw the side elevation of the solid shape.

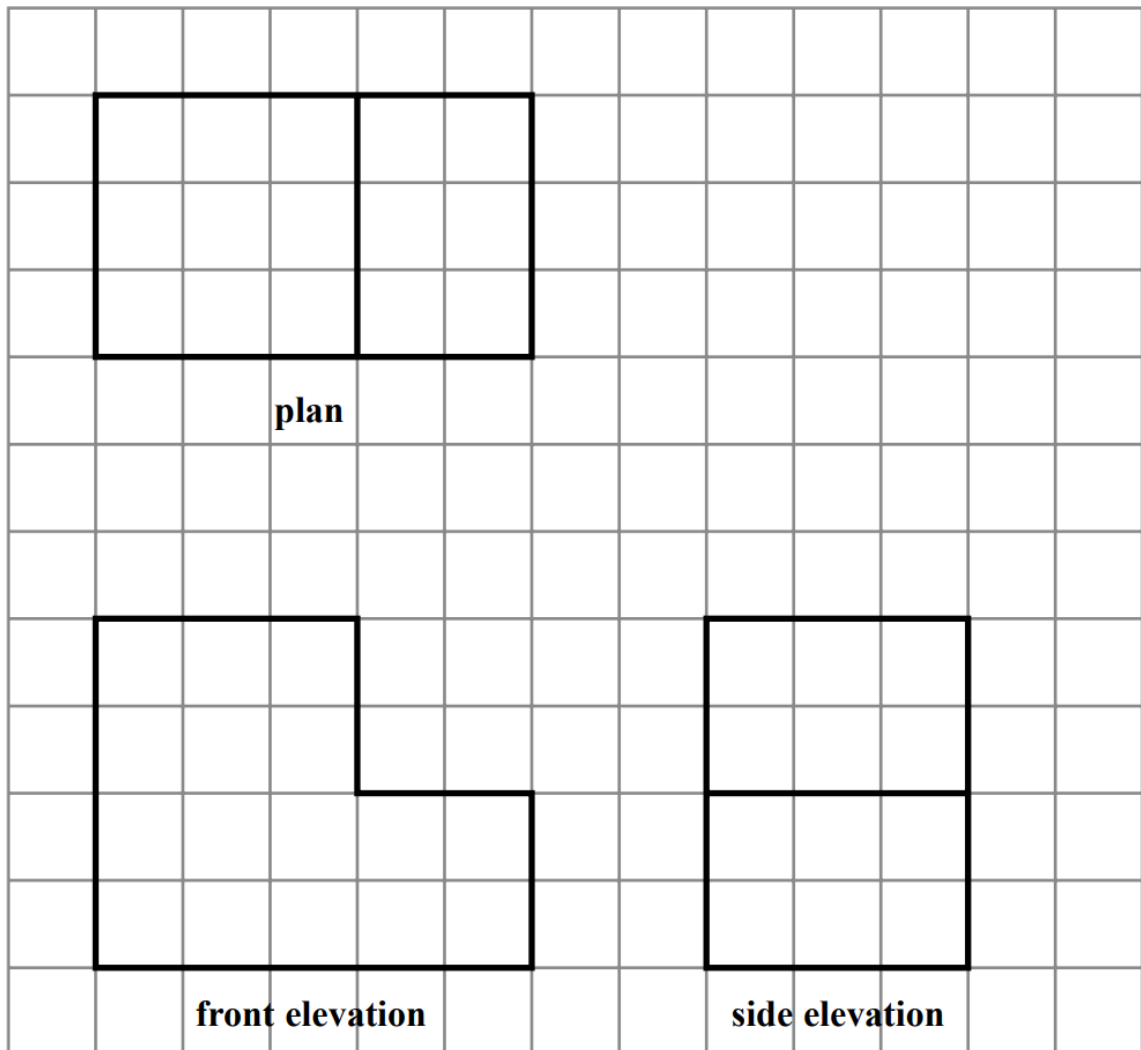


[2 marks]



**Question 11**

The plan, front elevation and side elevation of a solid prism are drawn on a centimetre grid.



In the space below, draw a sketch of the solid prism.  
Write the dimensions of the prism on your sketch.

[2 marks]